

1. (1) Duplex Bow TRIGGER
2. (1) Heavy HAMMER
3. (1) DISCONNECTOR
4. (1) GREEN HAMMER SPRING
4½+ lb. PULL WEIGHT
5. (1) RED HAMMER SPRING
5½+ lb. PULL WEIGHT
6. (2) AR 0.154" DIA. PIN
7. (1) AR DISCONNECTOR SPRING
8. (1) AR TRIGGER SPRING
9. (1) DRIFT PIN
10. (1) ASSY PIN

EDT® DM fire-control group (FCG) parts are shown in the figure by name and quantity.

IMPORTANT - Note well the correct installation orientation of the hammer spring on the hammer. It is possible to install it backwards. The result would be very light trigger pull weight and light hammer strikes (poor or no ignition).

© 2019
hiperfire.com

HIPERFIRE®

EDT® Designated Marksman Parts and Installation Manual

Proper installation and use of this product are the responsibility of the purchaser. It is highly recommended that the purchaser have the product installed by a commercially engaged gunsmith.

EDTDM

2 User-Adjustable Trigger Weights: 4½+, 5½+ lbs. Single Stage Pull Is Smooth, Flat, Fast & Precise. Hint of Pre-Travel w/ Positive Reset. Hammer Fall: Heavy, Like Stock for More Reliable Cartridge Ignition & Very Fast Lock Up. 0.154" Diameter AR MIL-Spec Pivot Pins. Install by First Removing Safety Selector. No Mods or Adjustments Req'd. US Patents: 9175917, D777285, 9696103, D817436, 10006733. Others Pending. Made in the USA.

© 2023
hiperfire.com

HIPERFIRE®

Enhanced Duty Trigger®

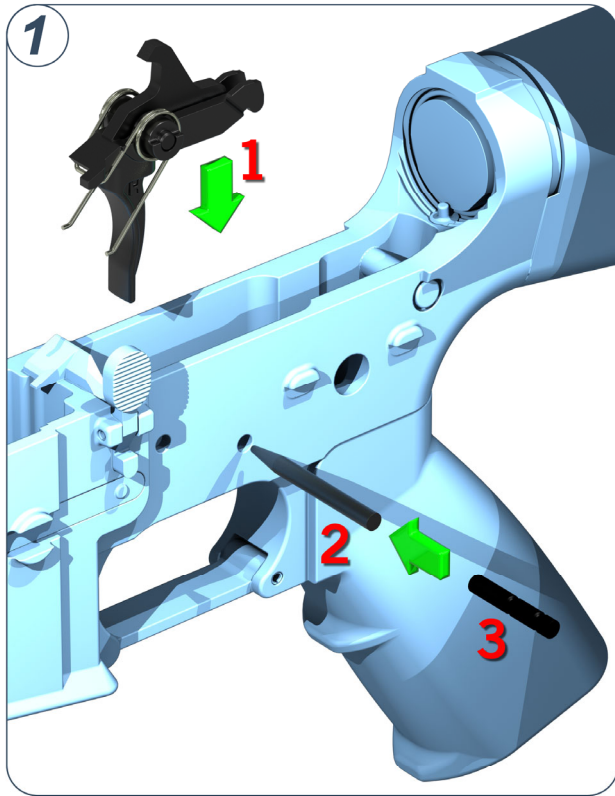
Lifetime Limited Warranty

ADAPT. CONTROL. COMMAND.®

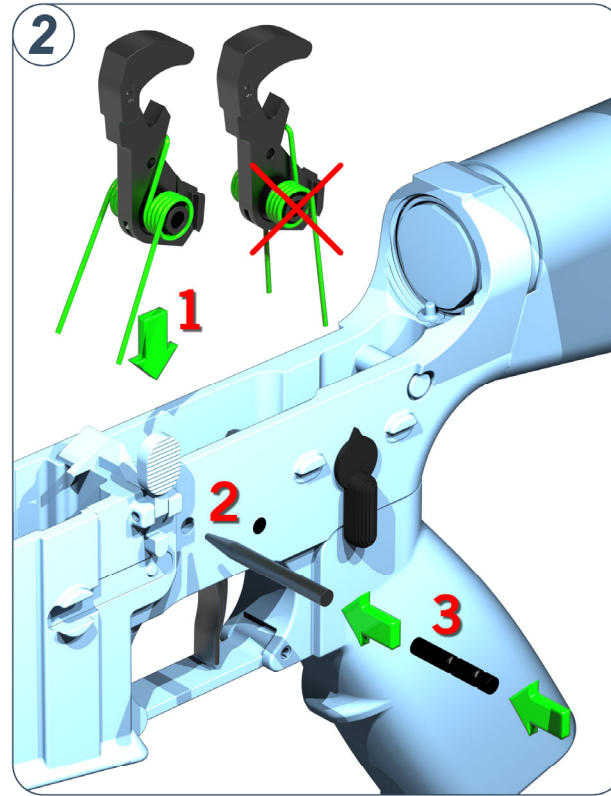
The Enhanced Duty Trigger® product is warranted against original defects in materials and/or workmanship for the life of the product from the date of purchase. The warranty is VOID if the product has been modified. This warranty applies to the original purchaser and is not transferable. This warranty applies only to purchases made in the United States of America.

HIPERFIRE will replace the product (subject to availability) if defective under warranty. Go to HIPERFIRE.com/Support for instruction on how to submit a warranty claim. Please keep your purchase receipt and provide an explanation of the defect.

HIPERFIRE shall not be liable for any consequential, incidental, or contingent damages whatsoever. Some states do not allow the exclusion of incidental or consequential damages, so the above limitation or exclusion may not apply to the original purchaser. This warranty gives the original purchaser specific legal rights, and the original purchaser may have other rights, which vary from state to state.



Remove the safety selector. The trigger subassembly (trigger, trigger spring, disconnecter spring, and disconnecter) is held together by an assembly pin. Position the trigger subassembly in the lower receiver so the pivot holes can line up with the trigger pin holes. Insert the drift pin into one of the lower's trigger holes and push it through until the back of the pin is flush with the outside of the receiver, pushing out the assembly pin. Insert the trigger pin fully, pushing out the drift pin. Check for proper rotation of all parts. Insert safety selector.



Choose the red spring for a 5½+ lb. trigger pull weight or the silver spring for 4½+ lbs. Install the hammer sub-assembly into the lower receiver just like you would a stock AR hammer, making sure the hammer spring's arms nest in the spaces on either side of the trigger in the lower receiver to retain the trigger pivot pin. Use the drift pin as desired.

IMPORTANT - The hammer is shown with the custom hammer spring installed correctly and incorrectly.

NOTICE

HIGH PERFORMANCE FIREARMS LLC specifically disclaims responsibility for any damage or injury whatsoever occurring in connection with, or as the result of the installation, use, or misuse of an EDT® product in AR15 or AR10 type firearms that are in good or worn condition, that are nonstandard, or have been modified.

CRITICAL Safety Warnings

A firearm and its fire-control are a system and must work together. There are different types of fire-controls for different types of firearms. Your firearm has been designed for a fire-control of a specific type. It is important to select the proper fire-control for your firearms.

Receive competent instruction in firearm safety. Practice with an unloaded firearm, or with dummy ammo, until you are completely familiar and comfortable with firearm safety procedures. Use live ammunition only when you are prepared to shoot safely.

Death, serious injury, and damage can result from the use of misuse of any fire-control in any firearm.

Keep the muzzle of any firearm pointed in a safe direction and follow all safety procedures at all times.

Do not drop your firearm. Always follow safe firearm handling practices when moving from one shooting position to another, or when transporting it (whether cased or not).

AR15 and AR10 type firearms employ safeties, but do not rely on them exclusively for safety.

Never pull the trigger unless the safety is set to FIRE and you intend to shoot.

Keep the firearm chamber empty unless ready to shoot and maintain safe muzzle direction.

Know your target and what is behind or beyond it.

Never perform maintenance on a loaded firearm.

Do not modify the firearm or the fire-control parts.

Do not mix parts from one fire-control to another.

Wear safety eye glasses or goggles during fire-control installation.